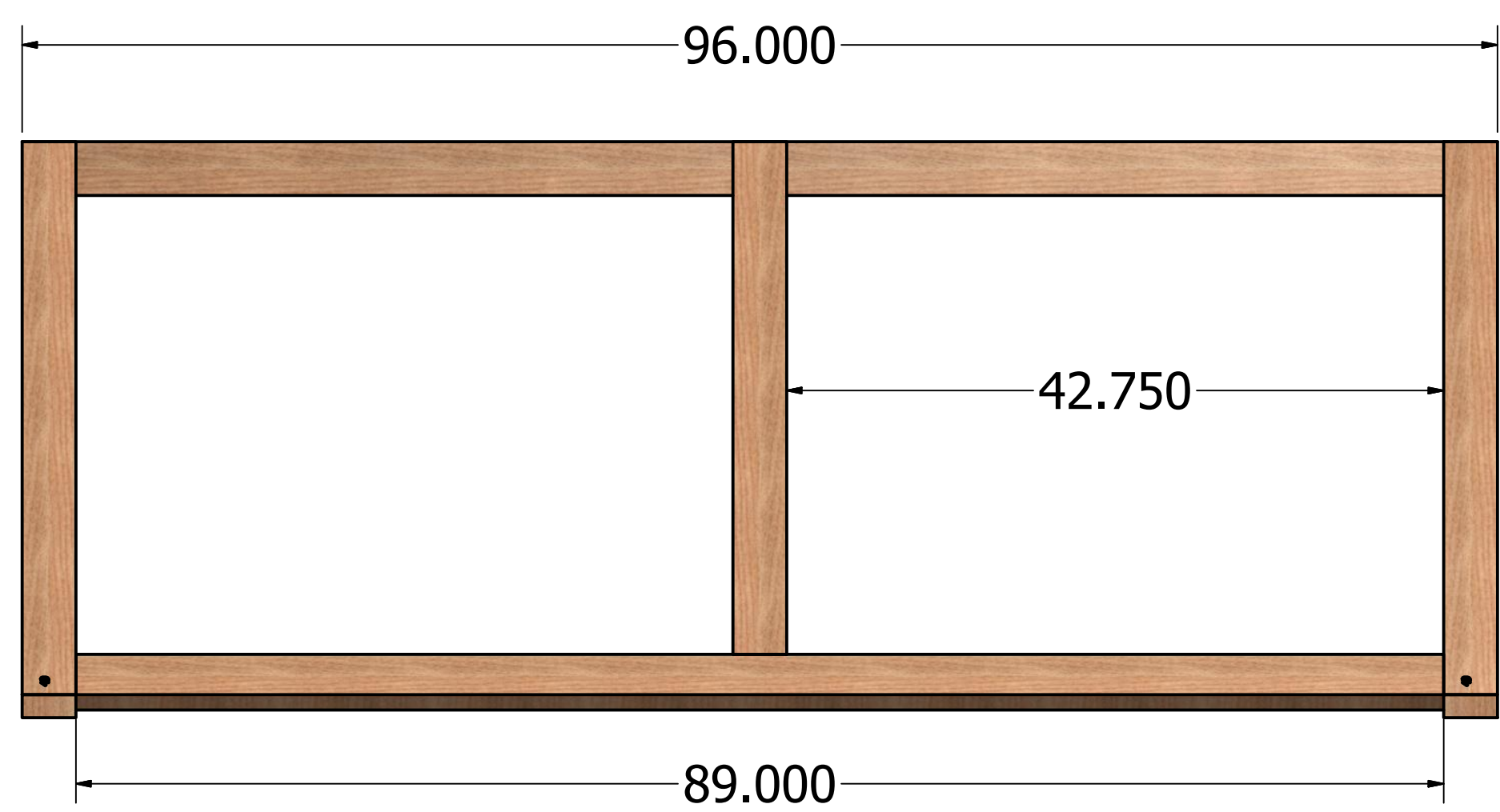
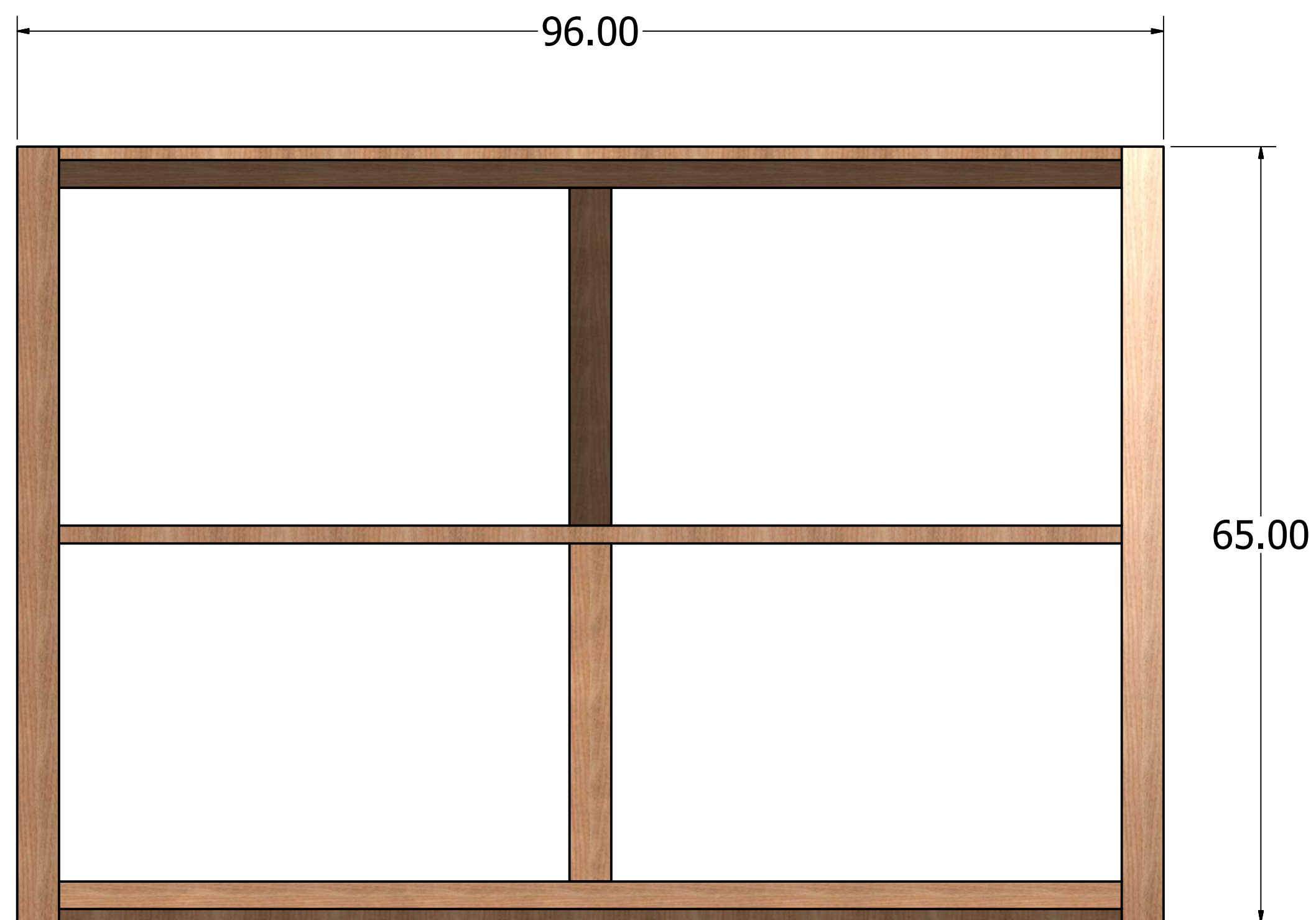


8 | 7 | 6 | 5 | 4 | 3 | 2 | 1

~Designed for a 4'x8' sheet for sides/roof panel.
 ~Can use Home Depot Eave Trim 10.5 ft. Galvanized Steel (\$20) for a ridge cap to prevent rain/water leak.



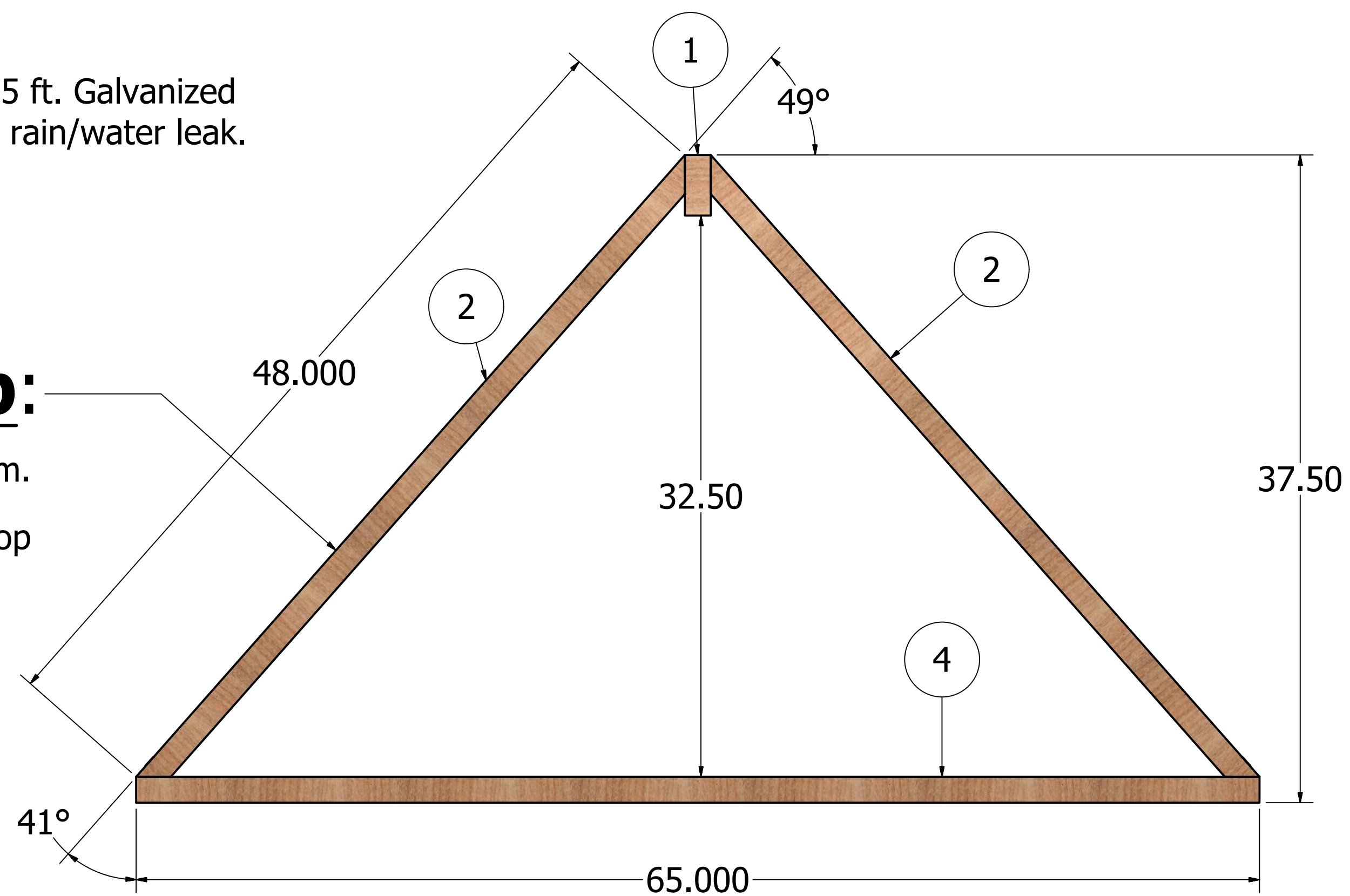
Side View



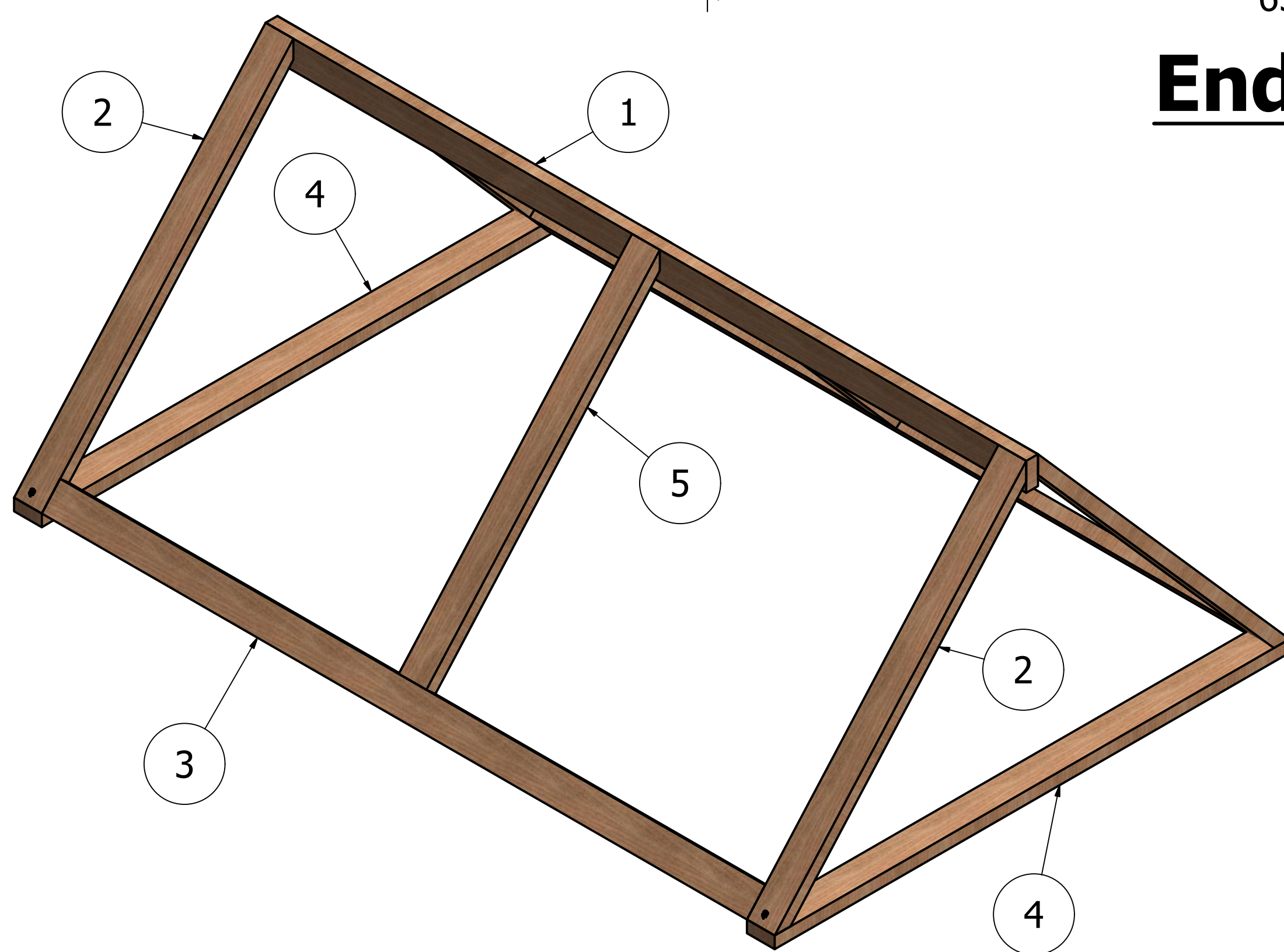
Bottom View

Assembly Tip:

Place 41' cut end at the bottom.
 49' cut end to top



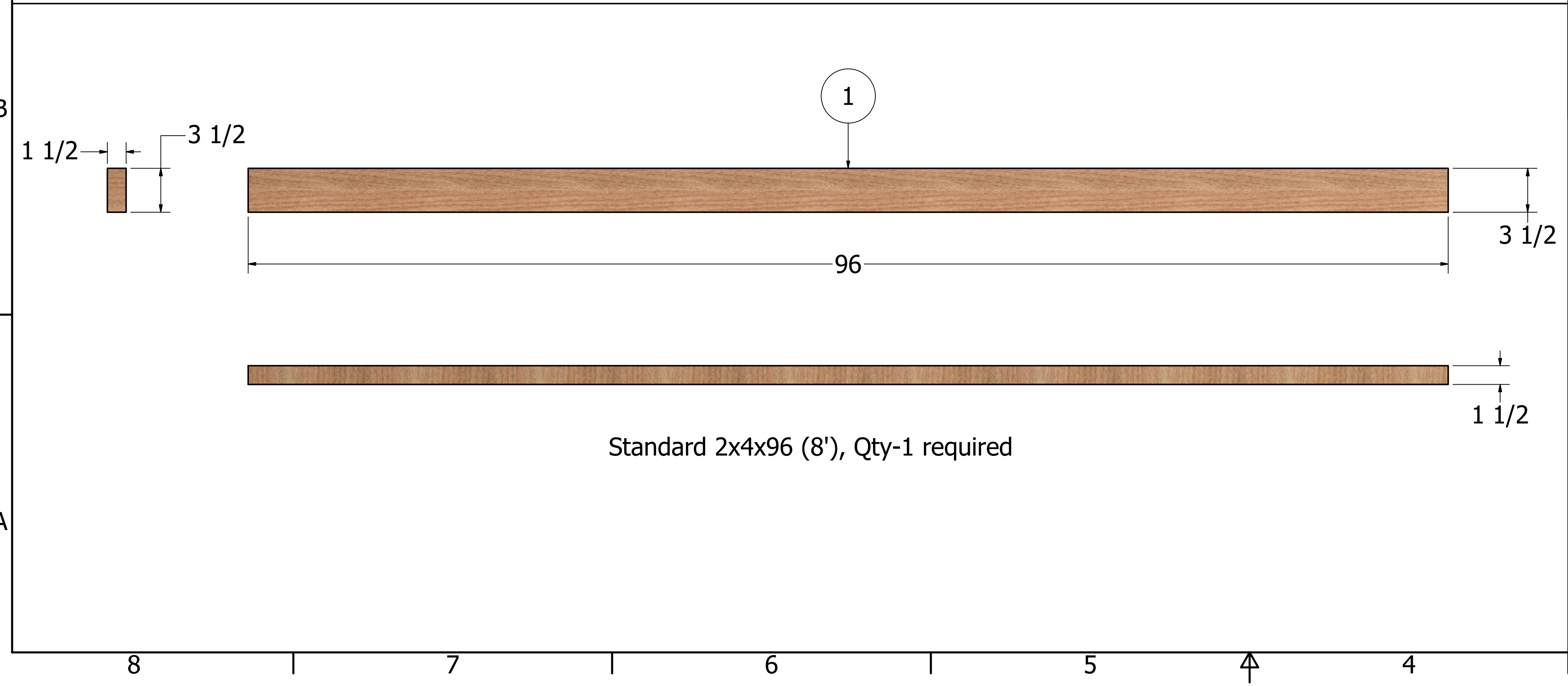
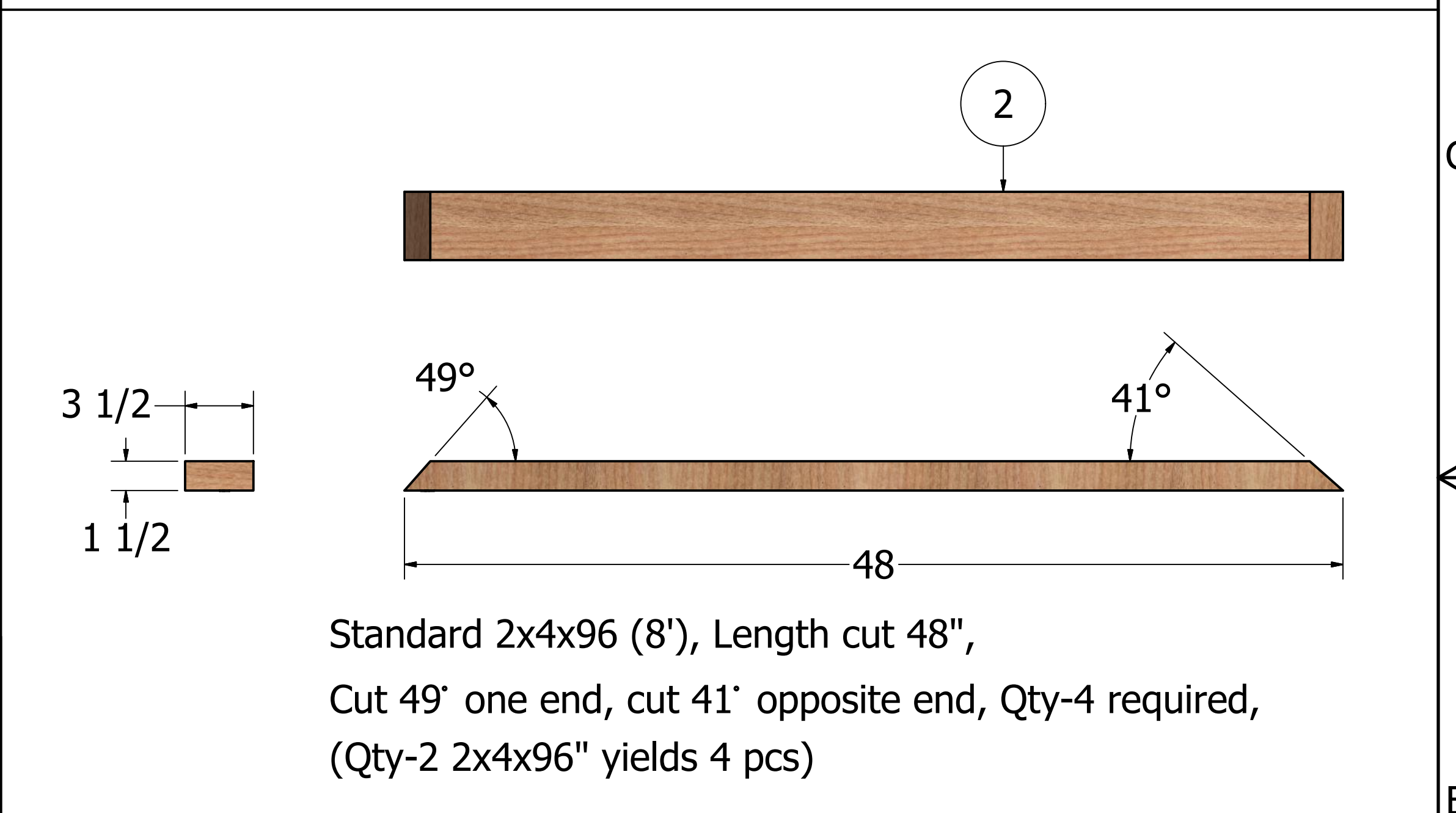
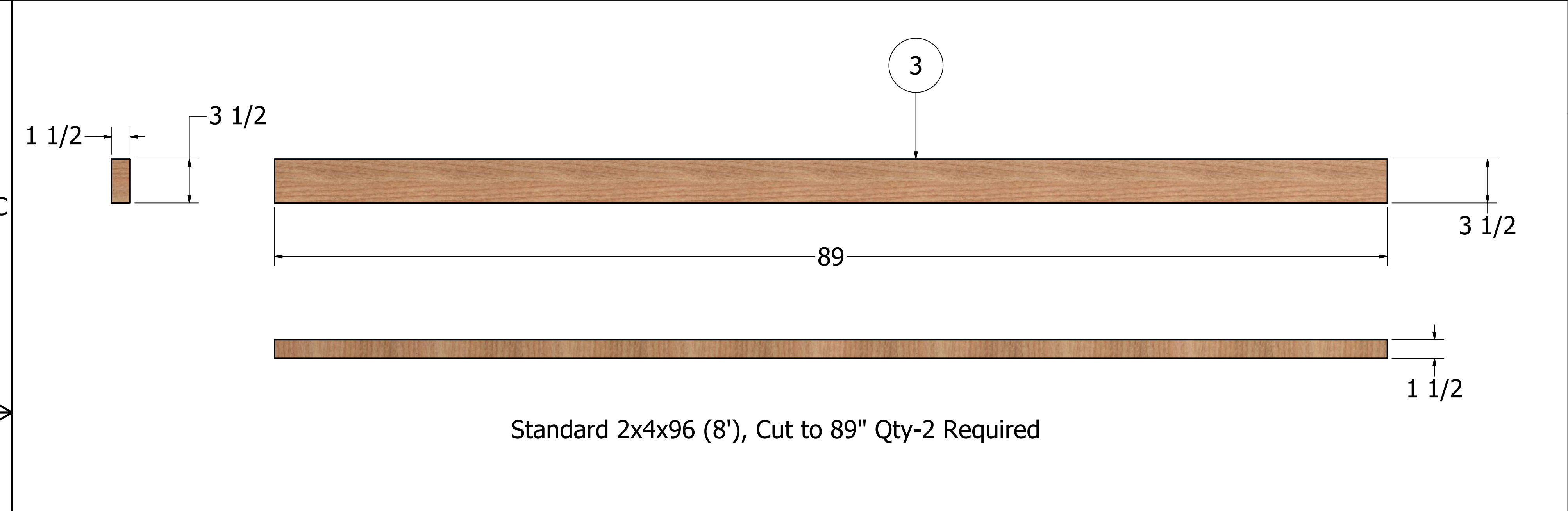
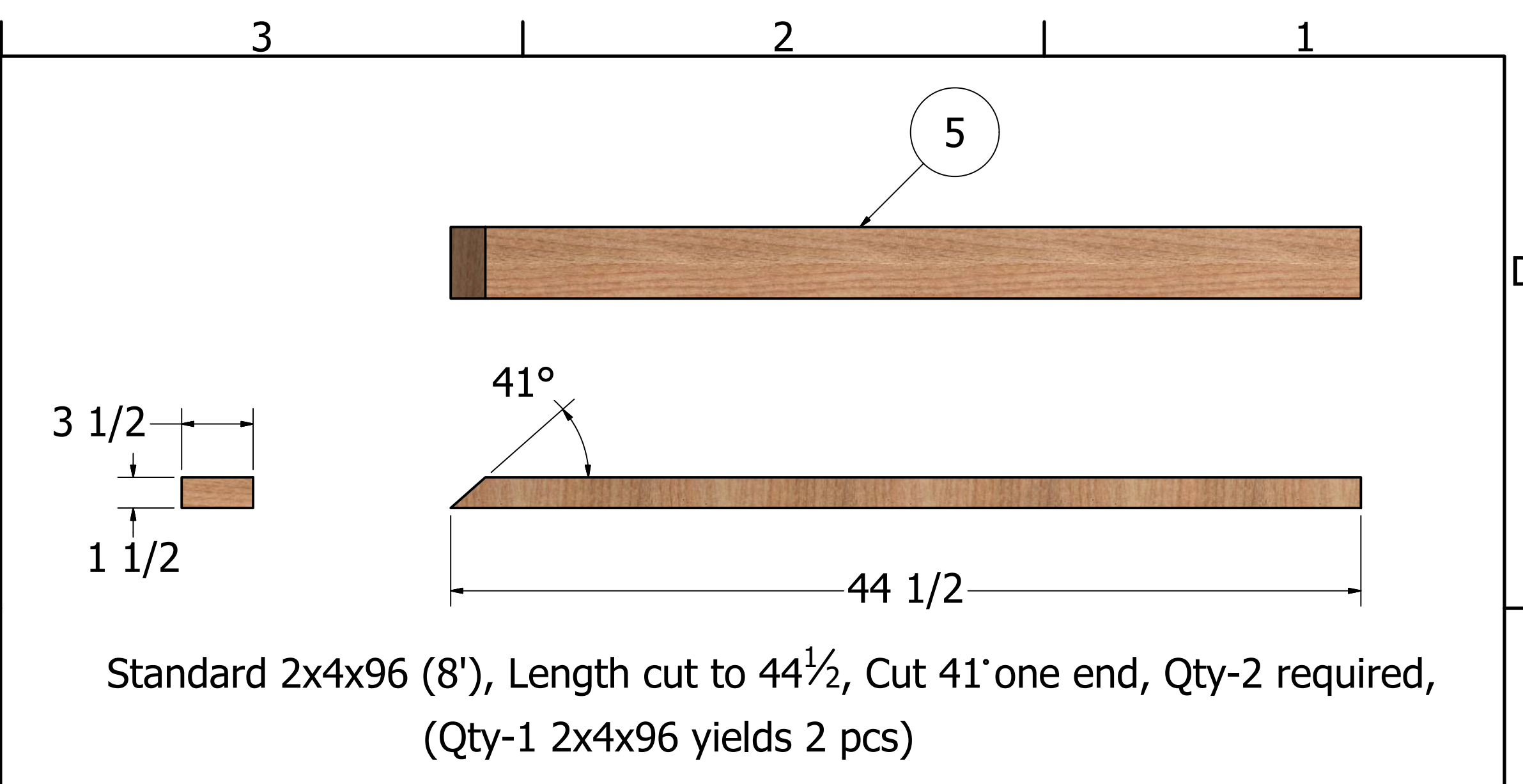
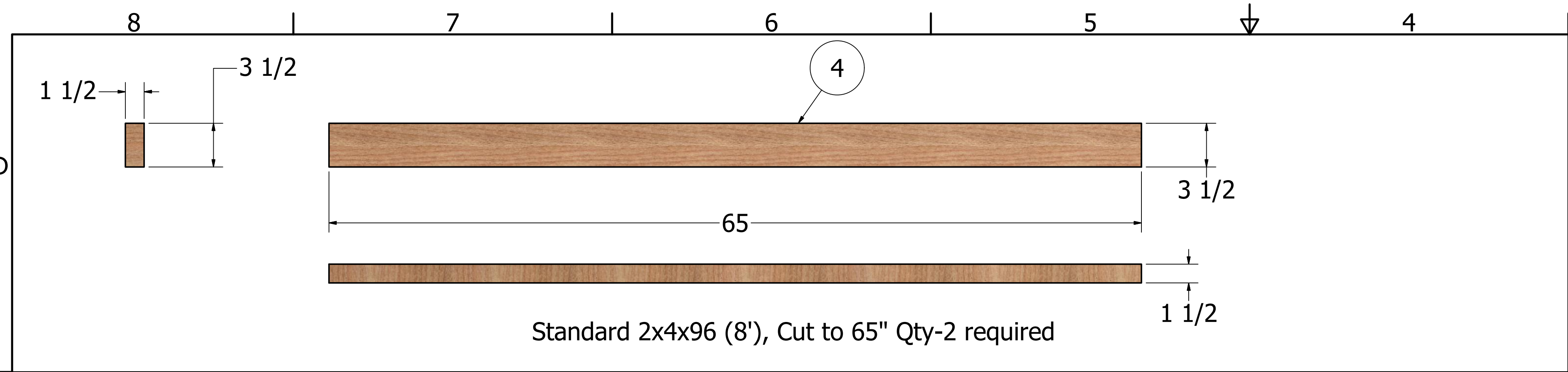
End View



PARTS LIST			
ITEM	QTY	PART NUMBE	DESCRIPTION
1	1	2x4x96	
2	4	2x4x48	
3	2	2x4x89	
4	2	2x4x65	
5	2	2x4x44.5	

DRAWN Chris Olin	5/19/2022	Rock Haven Meadow - COHASSET MN	
TOLERANCE:		TITLE	
ANGLES +/- .5° .X = +/- .02 .XX = +/- .010 .XXX = +/- .005		White Bison Farm - IPP A-Frame	
CONFIDENTIAL:		SIZE	DWG NO
THIS DOCUMENT AND ITS INFORMATION SHALL BE USED ONLY AS SPECIFIED BY ROX SPEED FX INC. ANY OTHER USE, REPRODUCTION OR DISCLOSURE TO OTHERS WITHOUT WRITTEN PERMISSION IS PROHIBITED.		D	WB IPP 96x65x38 A Frame
		SCALE	REV
			SHEET 1 OF 2

8 | 7 | 6 | 5 | 4 | 3 | 2 | 1



2x4x96 Purchase Qty if Cut correctly - Qty-8

PARTS LIST			
ITEM	QTY	PART NUMBE	DESCRIPTION
1	1	2x4x96	
2	4	2x4x48	
3	2	2x4x89	
4	2	2x4x65	
5	2	2x4x44.5	

DRAWN Chris Olin	5/19/2022	Rock Haven Meadow - COHASSET MN	
TOLERANCE:		TITLE	
ANGLES +/- .5°		White Bison Farm - IPP A-Frame	
CONFIDENTIAL:		SIZE	DWG NO
THIS DOCUMENT AND ITS INFORMATION SHALL BE USED ONLY AS SPECIFIED BY ROX SPEED FX INC. ANY OTHER USE, REPRODUCTION OR DISCLOSURE TO OTHERS WITHOUT WRITTEN PERMISSION IS PROHIBITED.		D	WB IPP 96x65x38 A Frame
		SCALE	REV
			SHEET 2 OF 2